

## Model No. TX-A

### DUAL VALVE

## Manual Operation Procedure

### 1. Overview

By pressing the button inside the manual operation hole with a rod, you can manually open the valve without electrical operation.


### 2. Precautions for Manual Operation

Perform manual operation only when electrical operation is not possible, such as during installation or maintenance work.

Performing manual operation during automatic operation may cause the TX-A to operate unexpectedly and result in serious danger. Never perform manual operation during automatic operation.

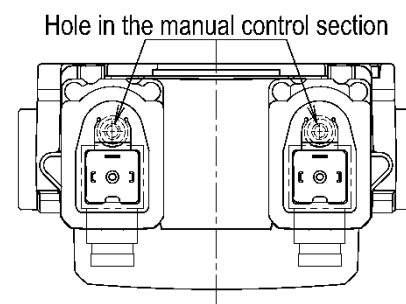
### 3. Safety Confirmation

#### WARNING

 Be sure to ensure the safety of the surrounding area before manually operating the valves. If this product is operated without having sufficiently checking safety, this might result in a serious accident.

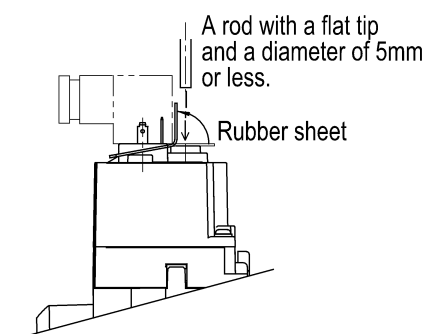
When manual operation is performed, the TX-A will be in the same operational state as when powered.

Before starting manual operation, always confirm that there are no workers nearby and that there are no safety issues with the movable parts of the press.




### 4. Manual Operation Method

- 1) Lift the front edge of the rubber sheet covering the manual control section.
- 2) Prepare two rods with flat tips and a diameter of 5 mm or less. Insert them into the two manual operation holes.
- 3) Simultaneously press both rods to push down the internal buttons. While the rods are being pressed, the TX-A will be in the same state as when powered.
- 4) When you remove the rods, the device will return to the same state as when not powered.

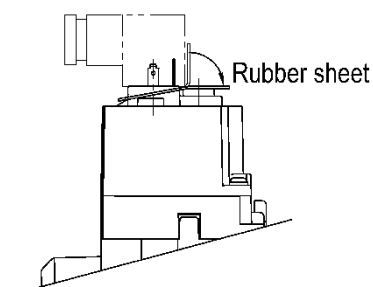


### 5. Confirmation After Manual Operation

#### WARNING

 The rubber sheet of the manual operation section should be placed over the hole of the manual operation section. If not, there is a risk that debris may enter, which could prevent the press machine from stopping.

- 1) After manual operation, return the lifted rubber sheet to its original position.
- 2) Ensure that the rubber sheet is properly covering the holes of the manual operation section.



Please read the "Terms and Conditions" from the following URL before ordering or use.  
<https://atc.azbil.com/en/products/order.html>

#### [NOTE]

- The contents of this document might change without notice.
- Copying or reprinting this document without permission is prohibited.

**Azbil TA Co., Ltd.** <https://atc.azbil.com>

TACO Co., Ltd. changed its name to Azbil TA Co., Ltd. on April 1, 2013.  
 9-27-9 Takashimadaira, Itabashi-ku, Tokyo TEL : 03-3936-2311